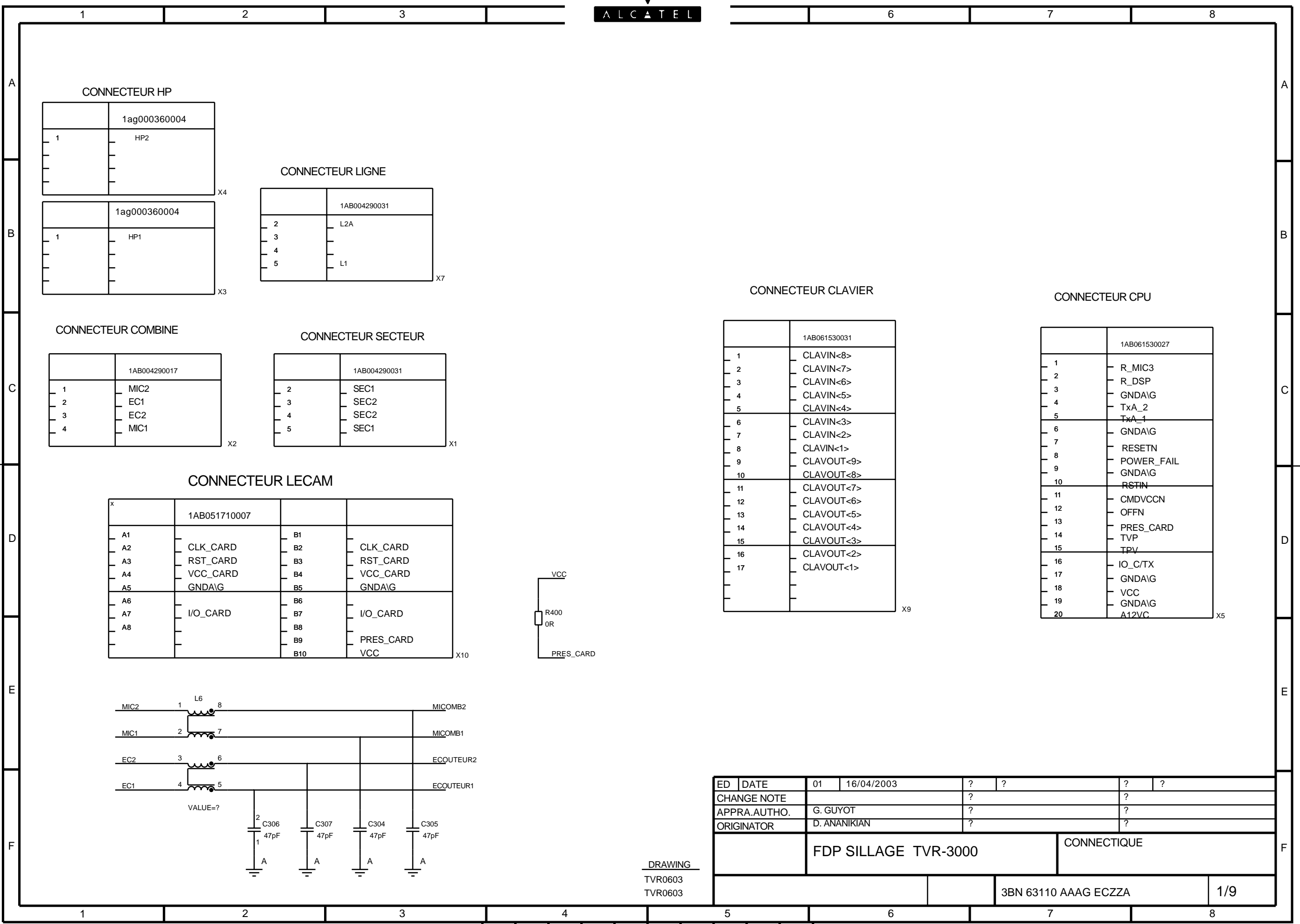


All rights reserved. Passing on and copying of this document, use and communication of its contents not permitted without written authorization.

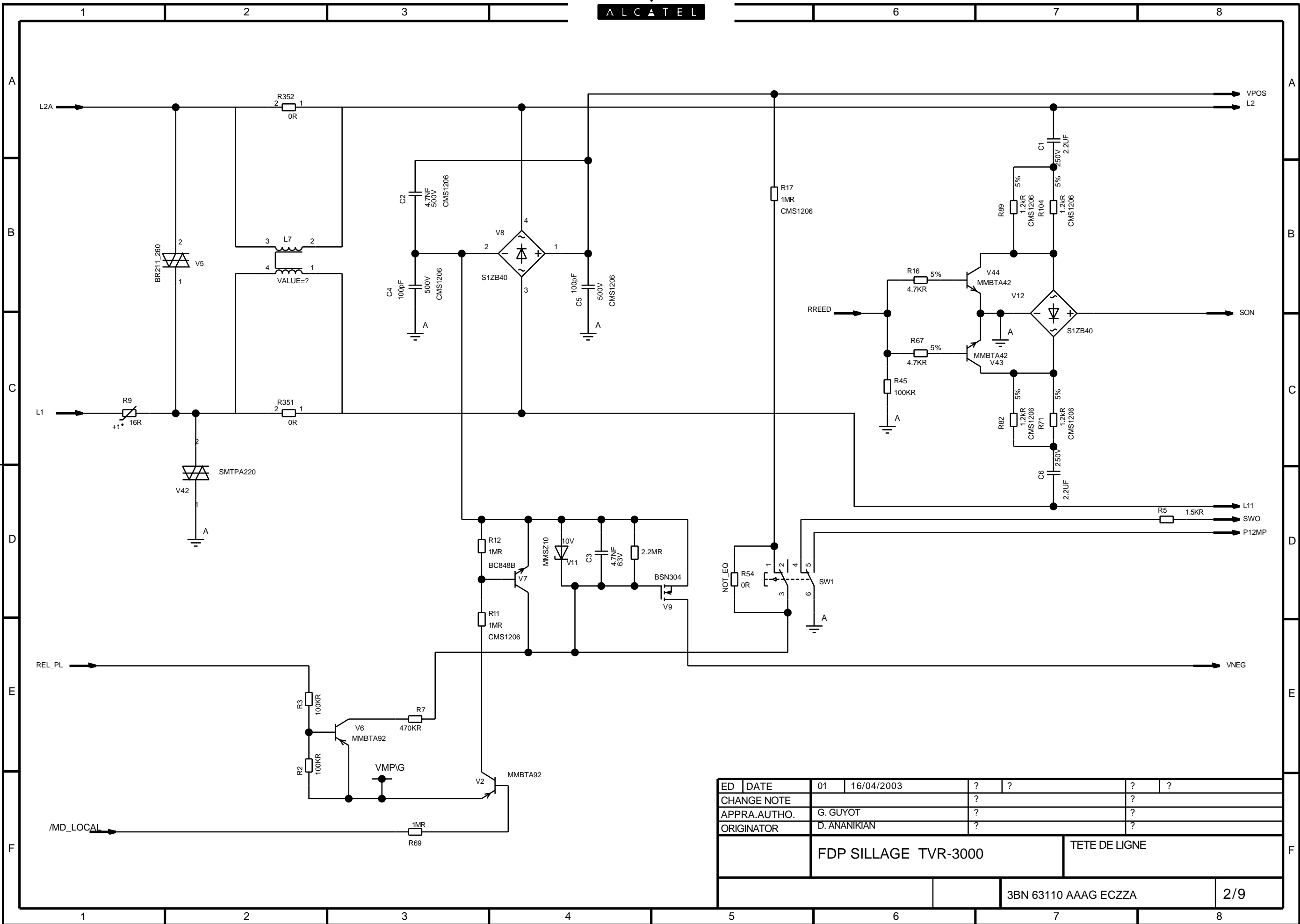


ED	DATE	01	16/04/2003	?	?	?	?
CHANGE NOTE				?		?	
APPRO.AUTHO.		G. GUYOT		?		?	
ORIGINATOR		D. ANANIKIAN		?		?	
FDP SILLAGE TVR-3000						CONNECTIQUE	
						3BN 63110 AAAG ECZZA	
						1/9	

DRAWING
TVR0603
TVR0603

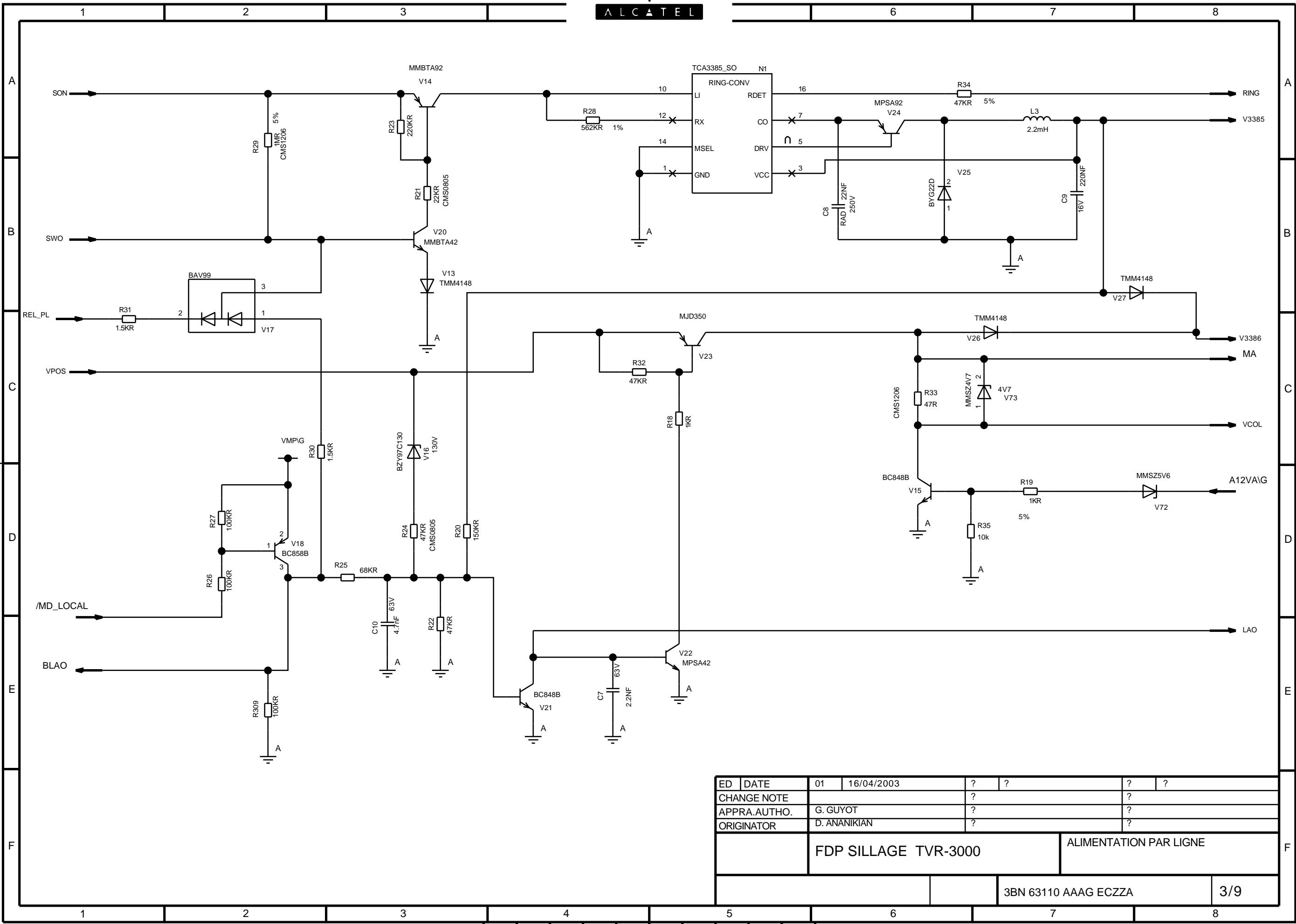
1AA 00014 0008 (9007) A3

All rights reserved. Passing on and copying of this document, use and communication of its contents not permitted without written authorization.



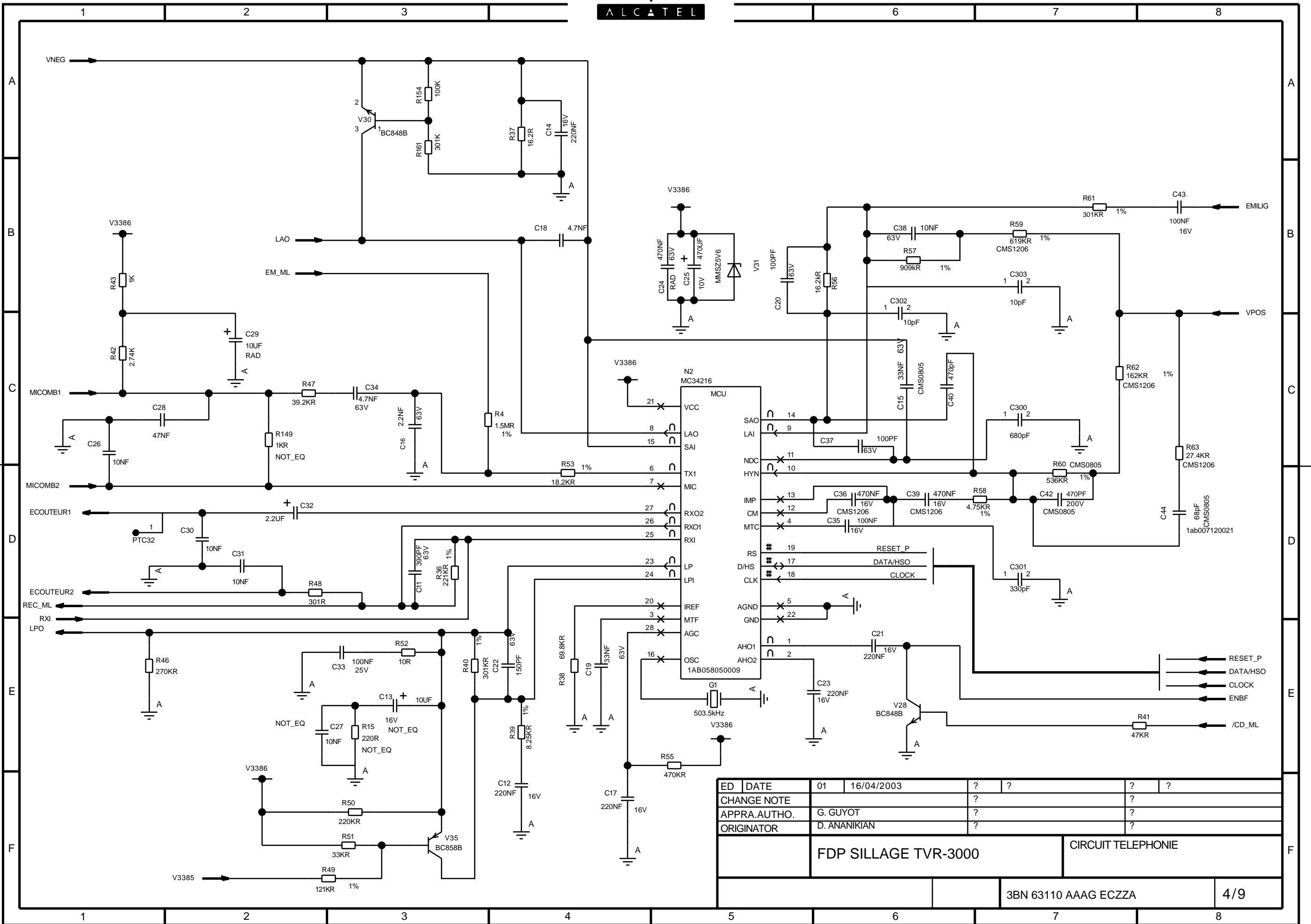
ED	DATE	01	16/04/2003	?	?	?	?
CHANGE NOTE				?		?	
APPRO. AUTHO.		G. GUYOT		?		?	
ORIGINATOR		D. ANANIKIAN		?		?	
FDP SILLAGE TVR-3000						TETE DE LIGNE	
						3BN 63110 AAAG ECZZA	
						2/9	

All rights reserved. Passing on and copying of this document, use and communication of its contents not permitted without written authorization.



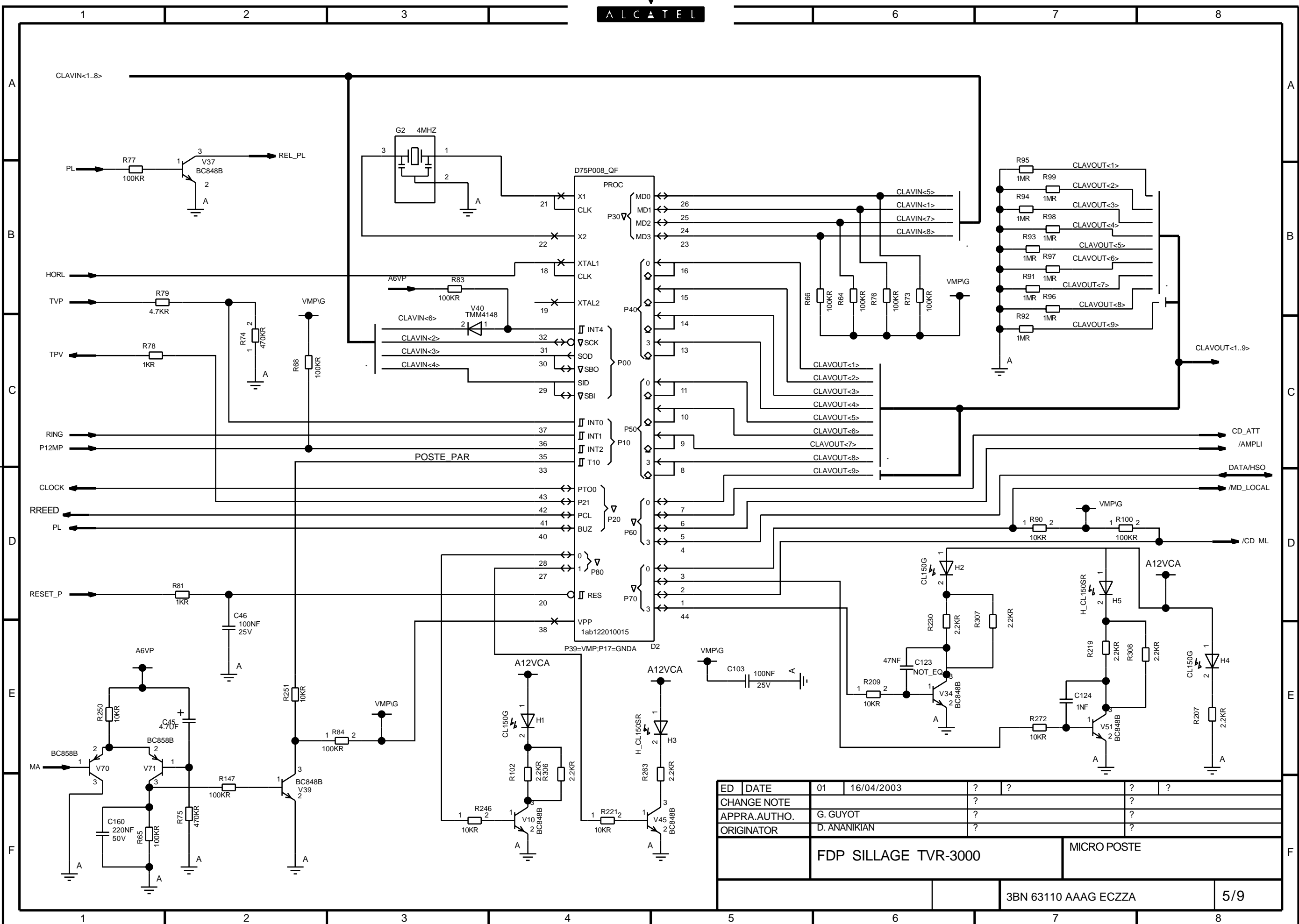
ED	DATE	01	16/04/2003	?	?	?	?
CHANGE NOTE				?		?	
APPRO.AUTHO.		G. GUYOT		?		?	
ORIGINATOR		D. ANANIKIAN		?		?	
FDP SILLAGE TVR-3000						ALIMENTATION PAR LIGNE	
						3BN 63110 AAAG ECZZA	
						3/9	

All rights reserved. Passing on and copying of this document, use and communication of its contents not permitted without written authorization.



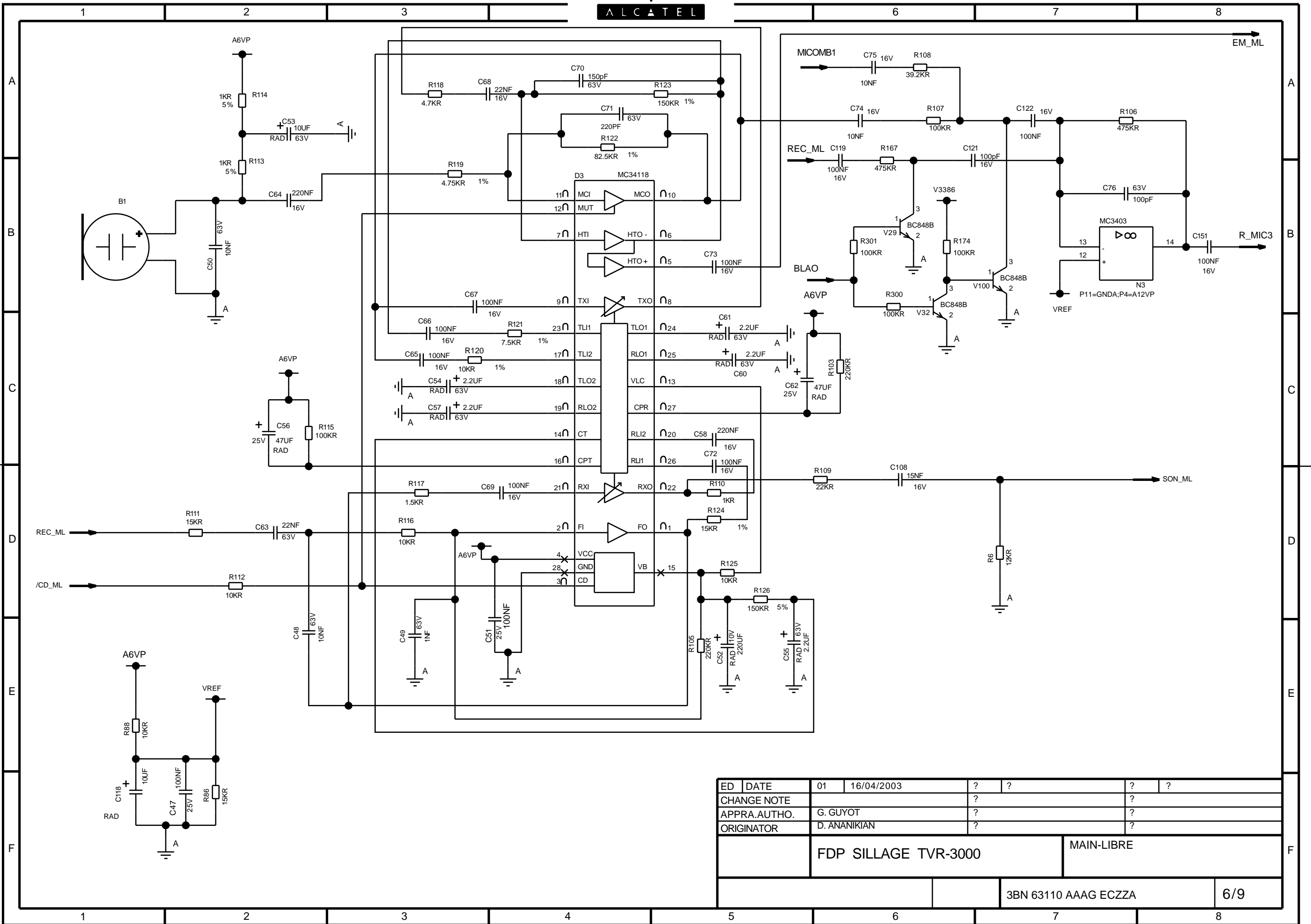
ED	DATE	01	16/04/2003	?	?	?	?
CHANGE NOTE							
APPRO.AUTHO.		G. GUYOT					
ORIGINATOR		D. ANANIKIAN					
FDP SILLAGE TVR-3000						CIRCUIT TELEPHONIE	
						3BN 63110 AAAG ECZZA	
						4/9	

All rights reserved. Passing on and copying of this document, use and communication of its contents not permitted without written authorization.



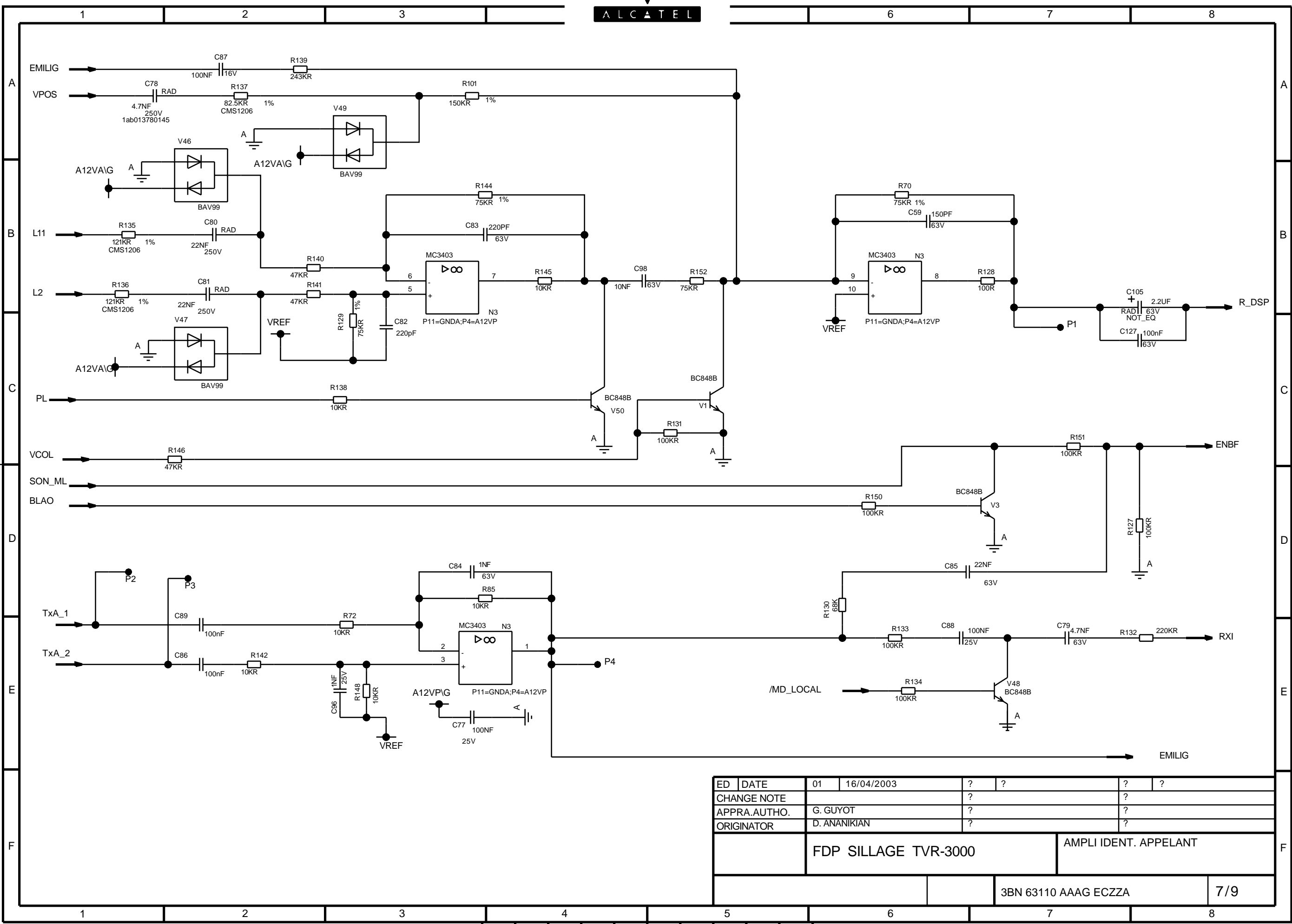
ED	DATE	01	16/04/2003	?	?	?	?
CHANGE NOTE							
APPROV. AUTH.		G. GUYOT					
ORIGINATOR		D. ANANIKIAN					
FDP SILLAGE TVR-3000				MICRO POSTE			
3BN 63110 AAAG ECZZA						5/9	

All rights reserved. Passing on and copying of this document, use and communication of its contents not permitted without written authorization.



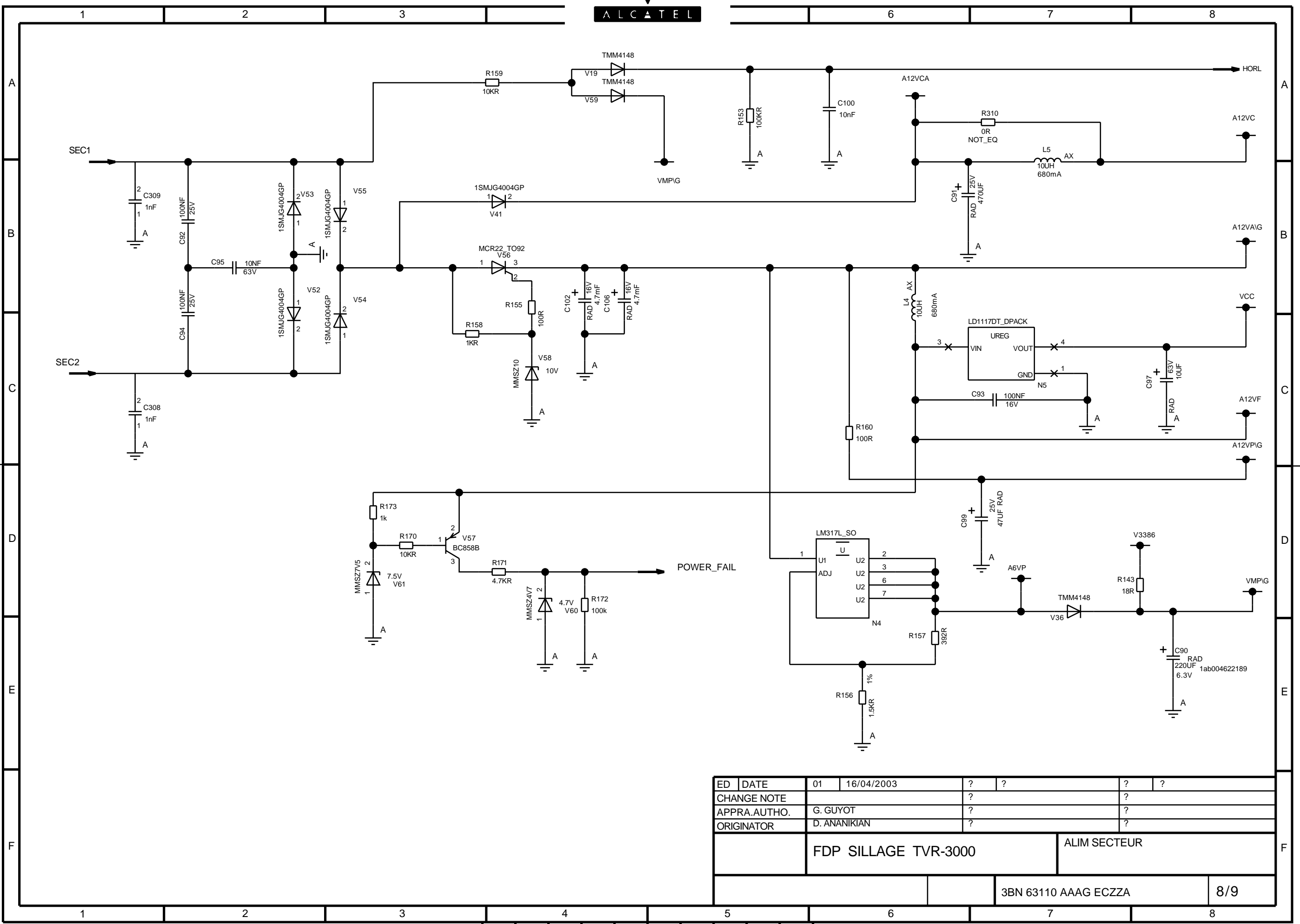
ED	DATE	01	16/04/2003	?	?	?	?
CHANGE NOTE				?		?	
APPROV. AUTH.		G. GUYOT		?		?	
ORIGINATOR		D. ANANIKIAN		?		?	
FDP SILLAGE TVR-3000				MAIN-LIBRE			
				3BN 63110 AAAG ECZZA		6/9	

All rights reserved. Passing on and copying of this document, use and communication of its contents not permitted without written authorization.

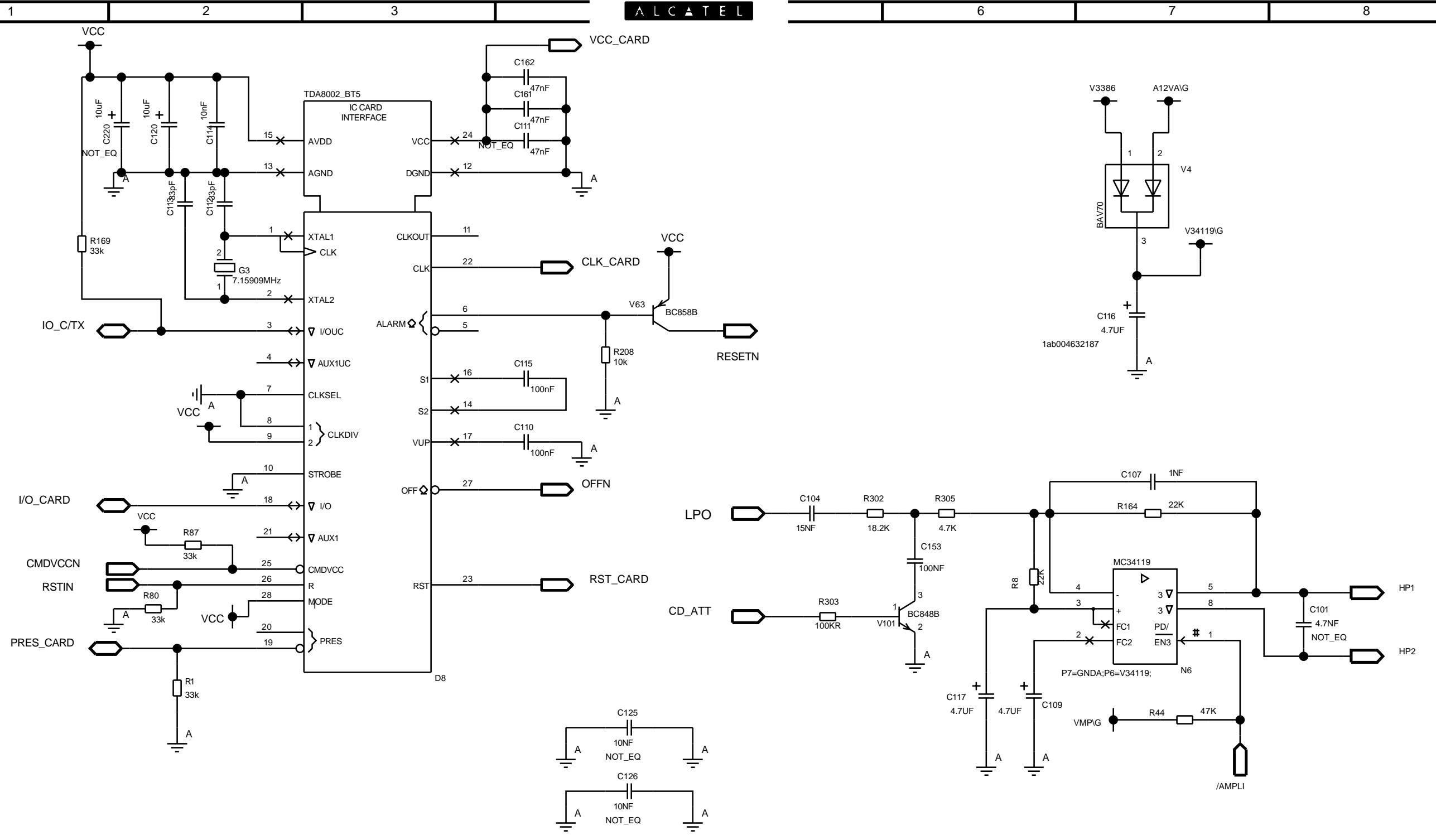


ED	DATE	01	16/04/2003	?	?	?	?
CHANGE NOTE							
APPRO.AUTHO.		G. GUYOT					
ORIGINATOR		D. ANANIKIAN					
FDP SILLAGE TVR-3000						AMPLI IDENT. APPELANT	
						3BN 63110 AAAG ECZZA	
						7/9	

All rights reserved. Passing on and copying of this document, use and communication of its contents not permitted without written authorization.



ED	DATE	01	16/04/2003	?	?	?	?
CHANGE NOTE				?		?	
APPRO.AUTHO.		G. GUYOT		?		?	
ORIGINATOR		D. ANANIKIAN		?		?	
FDP SILLAGE TVR-3000						ALIM SECTEUR	
						3BN 63110 AAAG ECZZA	
						8/9	



ED	DATE	01	16/04/2003	?	?	?	?
CHANGE NOTE							
APPRO.AUTHO.		G. GUYOT					
ORIGINATOR		D. ANANIKIAN					
FDP SILLAGE TVR-3000						LECAM + AMPLI HP	
						3BN 63110 AAAG ECZZA	
						9/9	